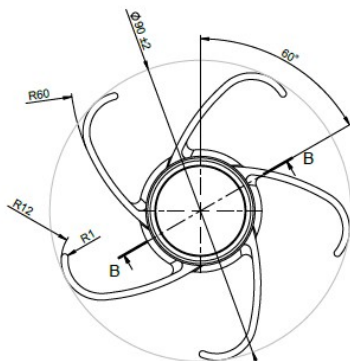
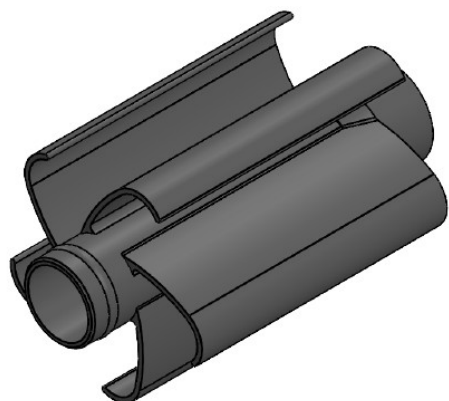


1064BW Spring filler low noise 3 3/4"- 1" shaft

Images:



Description:

- IND/RES	: IND
- Full package quantity	: 100
- Unit	: piece (1)
- Weight / Unit	: 0,35kg
- Colour	: Black
- Height	: 90mm
- Length	: 150mm
- Width	: 90mm
- Commercial description	: This spring filler is only suitable for 3 3/4"- 1" springs. It can be adjusted to length by clicking the segments together. The big advantage: significantly less noise from spring rattle, especially at higher speeds. Allows transport of the spring with shaft, as the stiffness of the tube is otherwise lacking. Suitable for 3 3/4"- 1" shafts. Value Pack Silent