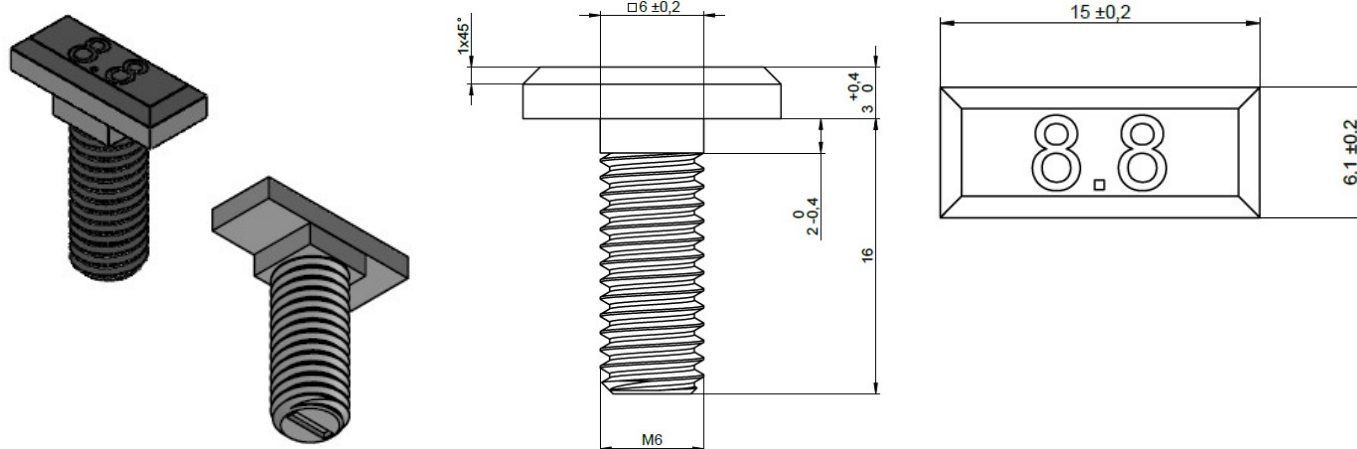


## 1062BT Hammerhead bolt M6x16 mm

### Images:



### Description:

- IND/RES	: BOTH
- Full package quantity	: 3000
- Unit	: piece (100)
- Weight / Unit	: 0,05kg
- Material	: Galvanised Steel
- Length	: 16mm
- Width	: 15mm
- Max. torque	: 13Nm
- Commercial description	: Hinge connection solution
- Technical description	: It eliminates the need for traditional bolt/nut assembly, ensuring faster installation, fewer components and a stable, repeatable result. Fast installation, fewer loose parts, high reliability