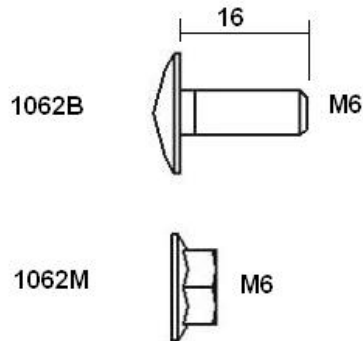


## 1062B Bolt

Images:



Description:

- |                          |  |
|--------------------------|--|
| - Subcategory            | : 01. Screws   |
| - IND/RES                | : BOTH   |
| - Full package quantity  | : 2500   |
| - Unit                   | : piece (1)  |
| - Weight / Unit          | : 0,7kg  |
| - Material               | : Galvanised Steel   |
| - Length                 | : 16mm   |
| - Product Family         | : a 039  |
| - Commercial description | : M6x16mm, 2mm square  |
| - Technical description  | : Several M6 connections, such as corner bracket on end of horizontal track. |