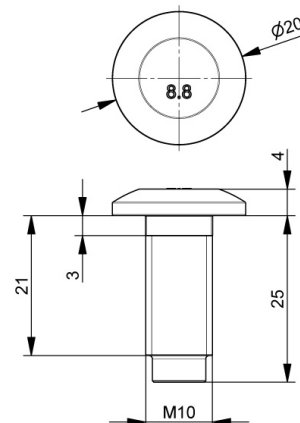


1058BFN Bolt, EasyFix

Images:



Description:

- | | |
|--------------------------|---|
| - Subcategory | : 01. Screws |
| - IND/RES | : BOTH |
| - Full package quantity | : 700 |
| - Unit | : piece (1) |
| - Weight / Unit | : 2,3kg |
| - Material | : Galvanised Steel |
| - Length | : 25mm |
| - Product Family | : a 037 |
| - Commercial description | : with flat head and easy fix |
| - Technical description | : This bolt can be used for connections with the 670 spring break devices and the springs on beam system. The easy fix point creates a non-threaded end of the bolt, which makes it easy to position the nut. Never lose the nut during installation! |