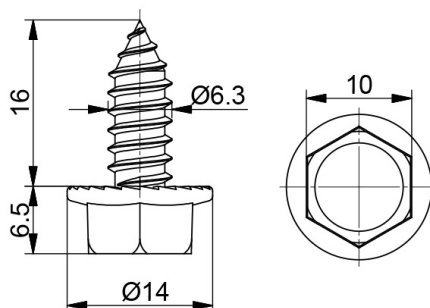


## 1052BV Screw

Images:



Description:

- Subcategory	: 01. Screws
- IND/RES	: BOTH
- Full package quantity	: 1500
- Unit	: piece (1)
- Weight / Unit	: 0,6kg
- Material	: Galvanised Steel
- Length	: 16mm
- Product Family	: a 003
- Max. torque	: 10Nm
- Outside diameter	: 6,3mm
- Commercial description	: 6.3x16mm, with knurled ring
- Technical description	: For fixing hinges, brackets and parts to the panel. NB! Pay attention to the max torque to prevent damaging the panel or screw!