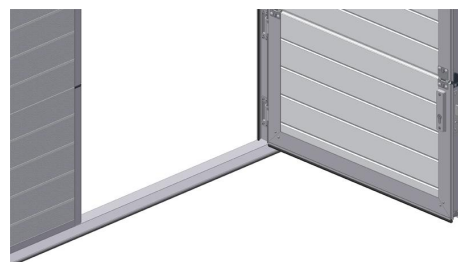
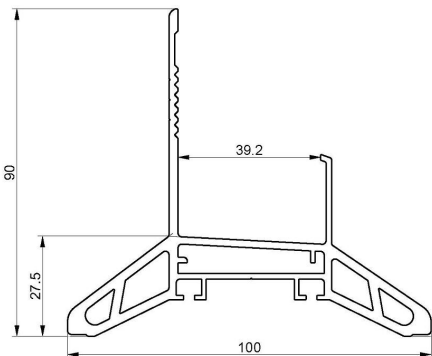
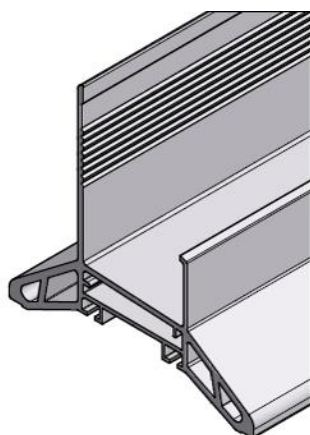


## 1041L3050 Threshold profile

### Images:



### Description:

- |                          |  |
|--------------------------|--|
| - Subcategory            | : 04. SafeStep/SideStep  |
| - IND/RES                | : BOTH   |
| - Full package quantity  | : 20   |
| - Unit                   | : piece (1)  |
| - Weight / Unit          | : 6,58kg   |
| - Material               | : Anodised Aluminium   |
| - Height                 | : 90mm   |
| - Length                 | : 3050mm   |
| - Width                  | : 100mm  |
| - Product Family         | : a 049  |
| - Panel thickness        | : 40mm   |
| - Commercial description | : L=3050mm   |
| - Technical description  | : Providing the opportunity to equip your residential doors with a low threshold pass door. One piece profile, which need to be milled according to instructions at location of the pass door. |