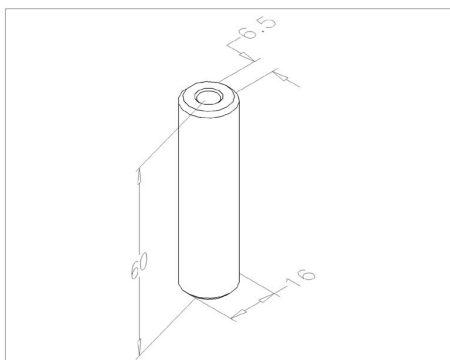


## 1040REGL-M Bolt/nut M16

### Images:



### Description:

- |                         |   |
|-------------------------|---|
| - Subcategory           | : 03. Others  |
| - IND/RES               | : IND   |
| - Full package quantity | : 50  |
| - Unit                  | : set (1)   |
| - Weight / Unit         | : 0,16kg  |
| - Material              | : Galvanised Steel  |
| - Length                | : 60mm  |
| - Width                 | : 16mm  |
| - Product Family        | : a 011   |
| - Left / Right          | : Left  |
| - Max. cable diameter   | : 6mm   |
| - Technical description | : Bolt/nut M16 hollow, 4 half nutsmax. cable diameter 6mm |