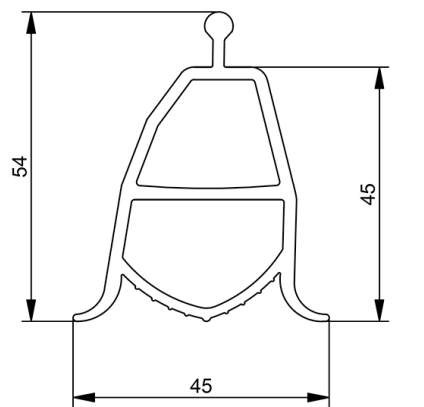


## 1035QSEN Bottom astragal

### Images:



### Description:

- Subcategory	: 02. Bottom
- IND/RES	: BOTH
- Full package quantity	: 1
- Unit	: Roll (35m)
- Weight / Unit	: 18,55kg
- Material	: EPDM
- Colour	: Black
- Height	: 54mm
- Width	: 45mm
- Product Family	: a 007
- Commercial description	: Improved design
- Technical description	: The unique shape of the Epco panel, allows installation of the seal without the need for an aluminium bottom profile. The seal slides into the bottom of the panel. Fits to Epco R & U fingersafe panels. Updated top improving the connection to the panel. Part of Value Pack Thermal.