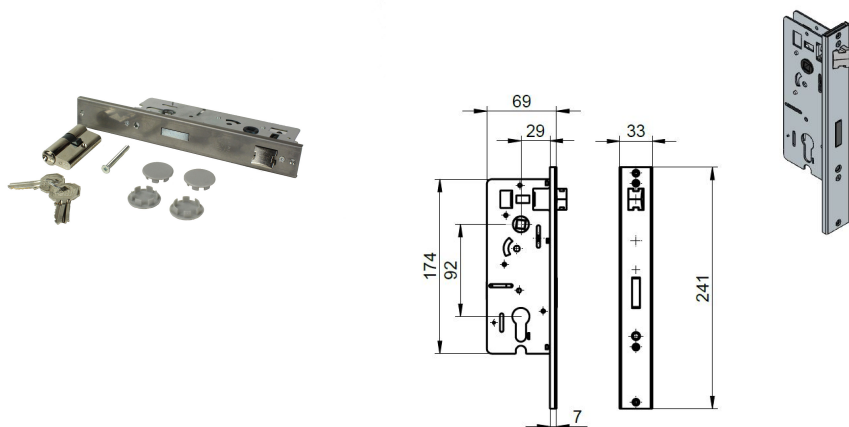


1034SPL Single point lock

Images:



Description:

- Subcategory : 07. Multi-point lock
- IND/RES : BOTH
- Full package quantity : 6
- Unit : set (1)
- Weight / Unit : 0,9kg
- Material : Steel
- Width : 33mm
- Product Family : a 001§
- Eurocylinder : Yes
- Commercial description : Euro cylinder, backset 50mm, centers 29mm
- Technical description : Quality alternative for 1034LOCK. Left hand and right hand opening. Use in combination with 1034MPL-LP and 1034PGN/1034PGHN