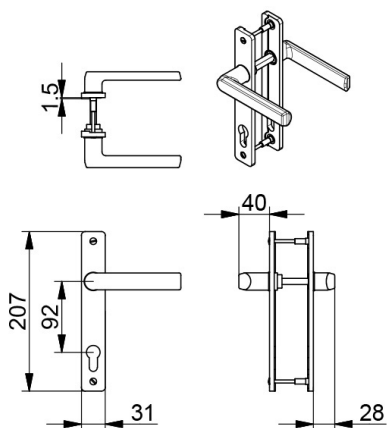


1034PGLN Grip/Plate

Images:



Description:

- | | |
|--------------------------|---|
| - Subcategory | : 03. Locks IND |
| - IND/RES | : IND |
| - Full package quantity | : 10 |
| - Unit | : set (1) |
| - Weight / Unit | : 0,4kg |
| - Material | : Aluminium |
| - Height | : 206mm |
| - Width | : 130mm |
| - Product Family | : a 002§ |
| - Panel thickness | : 40mm |
| - Commercial description | : replaces 1034PGL |
| - Technical description | : New design with small change in height of the lock plate for a better fit with our locks. High quality appearance grips, with cut-out in the plate to enable mounting on the aluminium profiles of the pass door. |