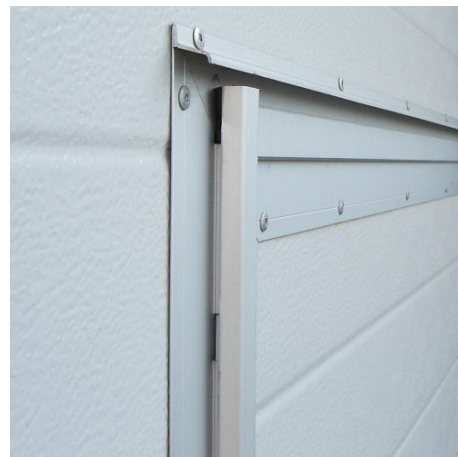
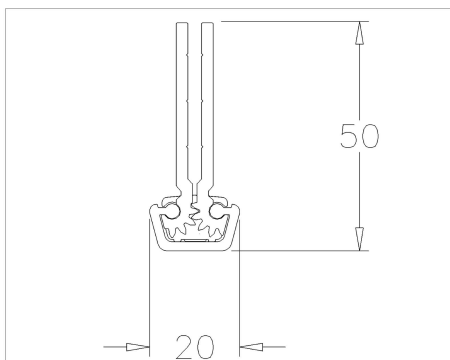


## 1034N Hinge

Images:



Description:

- Subcategory	: 02. Alu profiles IND
- IND/RES	: BOTH
- Full package quantity	: 25
- Unit	: piece (1)
- Weight / Unit	: 2,5kg
- Material	: Anodised Aluminium
- Height	: 50mm
- Length	: 2500mm
- Width	: 20mm
- Product Family	: a 016
- Commercial description	: L = 2500mm
- Technical description	: Total width of the hinge is 50mm