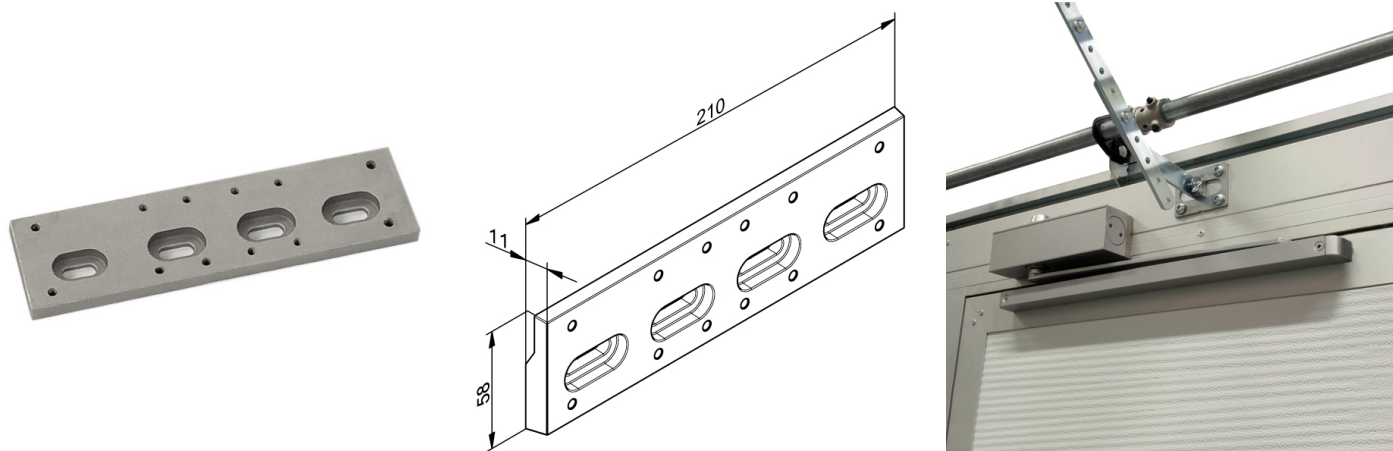


1034BSN Base plate

Images:



Description:

- Subcategory	: 01. Door closers
- IND/RES	: BOTH
- Full package quantity	: 20
- Unit	: piece (1)
- Weight / Unit	: 0,11kg
- Material	: Aluminium
- Height	: 58mm
- Length	: 210mm
- Thickness	: 11mm
- Product Family	: a 004
- Marking	: 1034BSN FF
- Technical description	: Mounting surface has a stair which fits the pass door profile code 1032END, industrial doors (1034KIT). But also fits flat SafeStep profiles and the new top alu profile 1033PS-3050. Pre installation of this plate on the door blade can be done with self tapping screws. Easy fix door closer to door.