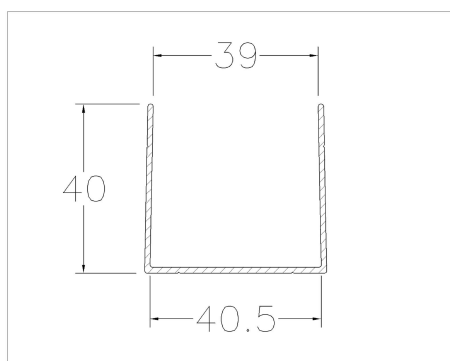


## 1033U-3000 Pass door profile

Images:



Description:

- Subcategory	: 02. Alu profiles IND
- IND/RES	: IND
- Full package quantity	: 50
- Unit	: piece (1)
- Weight / Unit	: 1,3kg
- Material	: Anodised Aluminium
- Height	: 40mm
- Length	: 3000mm
- Width	: 40,5mm
- Product Family	: a 013
- Panel thickness	: 40mm
- Commercial description	: L = 3000mm