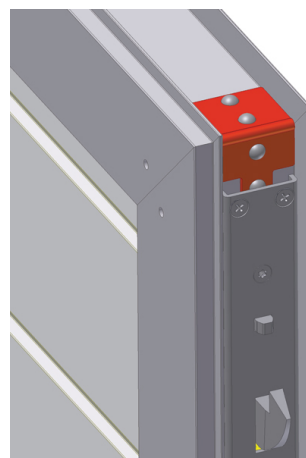
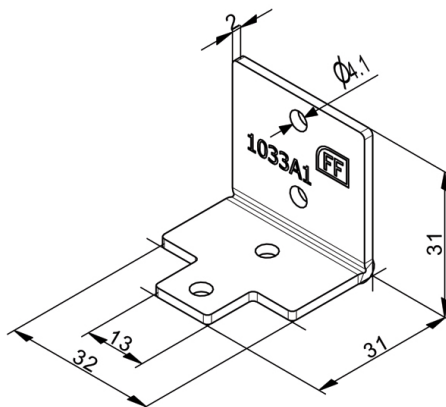


1033A1 Corner bracket

Images:



Description:

- Subcategory	: 04. SafeStep/SideStep
- IND/RES	: BOTH
- Full package quantity	: 200
- Unit	: piece (1)
- Weight / Unit	: 0,03kg
- Material	: Galvanised Steel
- Height	: 31mm
- Length	: 31mm
- Width	: 32mm
- Thickness	: 2mm
- Product Family	: a 025
- Inside diameter	: 4,1mm
- Marking	: 1033A1 FF
- Technical description	: Small angle bracket to secure, reinforce and fix the door corners of the pass door profiles 1033LD. Part of a complete pass door in finger safe panels. Complete description and manual available. Fix with rivets.