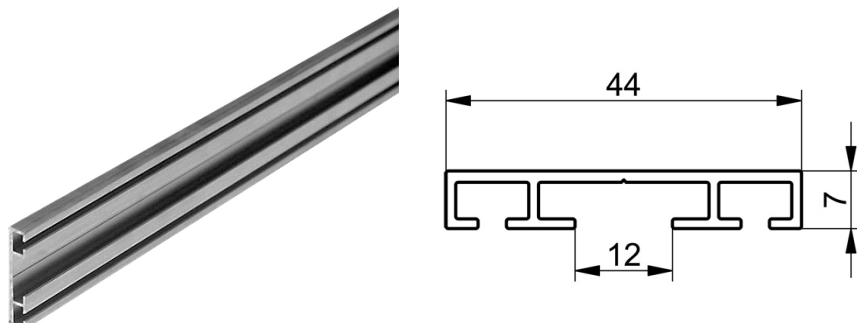


1031-6000 Top/bottom profile

Images:



Description:

- Subcategory	: 02. Top/Bottom
- IND/RES	: BOTH
- Full package quantity	: 25
- Unit	: piece (1)
- Weight / Unit	: 1,7kg
- Material	: Aluminium
- Colour	: Aluminium
- Height	: 7mm
- Length	: 6000mm
- Width	: 44mm
- Product Family	: a 023
- Anodised	: No
- Panel thickness	: 40mm - 42mm
- Technical description	: Use with rubber profile 1036-36, 1037, 1039etc.