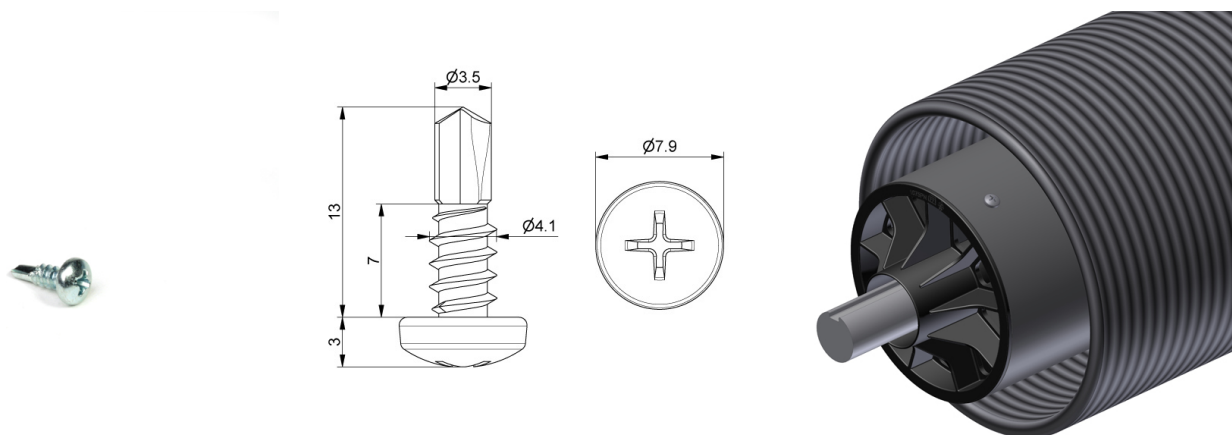


1029D Screw

Images:



Description:

- Subcategory	: 01. Screws
- IND/RES	: BOTH
- Full package quantity	: 5000
- Unit	: piece (1)
- Weight / Unit	: 0,2kg
- Material	: Galvanised Steel
- Length	: 13mm
- Product Family	: a 001
- Max. torque	: 3,1Nm
- Outside diameter	: 7,9mm
- Commercial description	: 4,1x13mm
- Technical description	: Because of this screws special drill point, it is suitable to use on various materials. The drill point eliminates the need of pre-drilling the material. Pay attention to max torque!