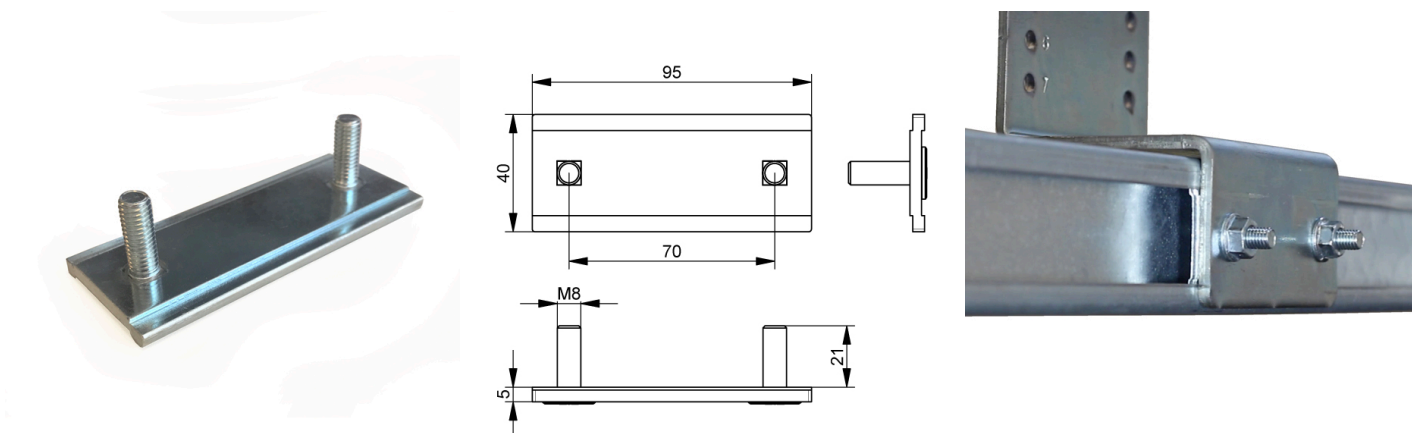


1027PB Paro clamp plate, removable

Images:



Description:

- Subcategory	: 08. Plates
- IND/RES	: BOTH
- Full package quantity	: 100
- Unit	: piece (1)
- Weight / Unit	: 0,143kg
- Material	: Galvanised Steel
- Length	: 95mm
- Width	: 40mm
- Thickness	: 5mm
- Product Family	: a 091
- Max. torque	: 23Nm
- Marking	: 1027PB
- Commercial description	: Part of ISC industrial hardware, 2x preinstalled bolt M8x20mm
- Technical description	: Easy inserting into 5C and 215C profile. No more hassle when adding accessories after installation of the track. Easy hook-in. Design of plate reduces deformation of connected brackets due to alignment to end of C profile.