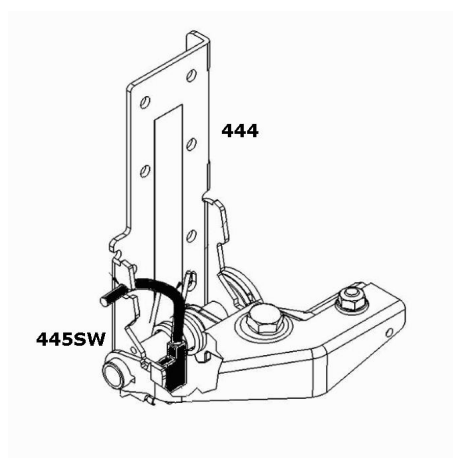
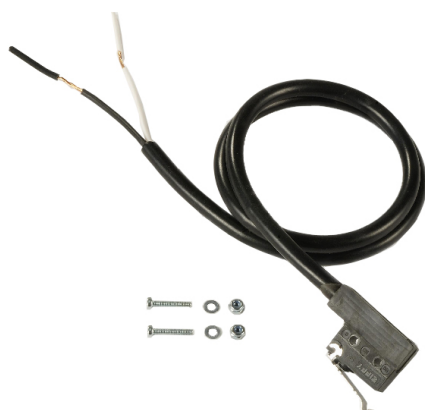


445SW Interruptor

Imágenes:



Descripción:

| | |
|-------------------------------|--|
| - Subcategoría | : 03. Otros |
| - IND/RES | : IND |
| - Contenido total del paquete | : 20 |
| - Unidad | : Pieza (1) |
| - Peso/Unidad | : 0,03kg |
| - Longitud | : 205mm |
| - Ancho | : 150mm |
| - Familia de productos | : a 018 |
| - Marcado | : 445SW FF |
| - Descripción comercial | : IP67 |
| - Descripción | : Suitable for fitting to 444 and 440(S) cable break devices. Switch with bracket is operated as soon as bracket of cable break device is relieved and operates the switch by turning lifting cable, in that way stopping the E-operator. Complete with cable, 2 core. |