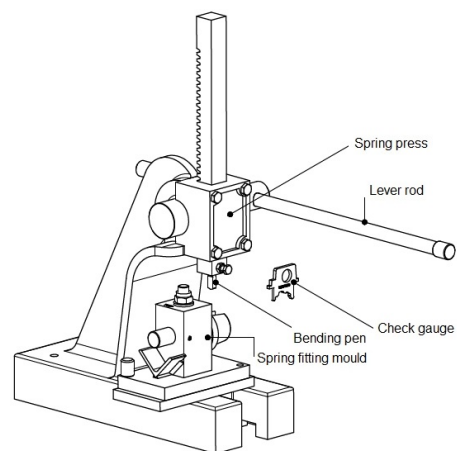
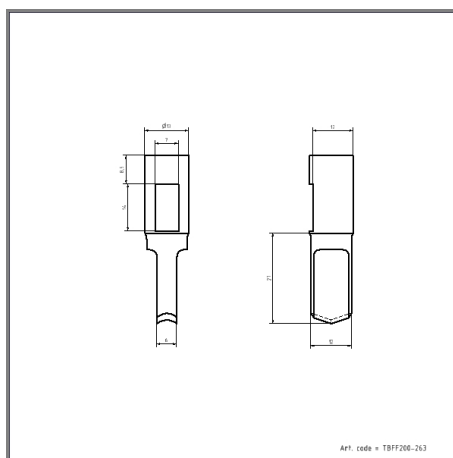


TBFF200-263 Bending pen TBFF200-263

Images:



Description:

- | | |
|--------------------------|--|
| - Subcategory | : 01. Springs |
| - IND/RES | : BOTH |
| - Full package quantity | : 20 |
| - Unit | : piece (1) |
| - Weight / Unit | : 0,039kg |
| - Product Family | : a 009 |
| - Commercial description | : Bending pen for TBM-TOOL |
| - Technical description | : Fits the TBM-TOOL of FlexiForce. Designed to fit the FlexiForce spring plugs FF200 and FF263. Can be used as sparepart when pen is lost or worn. |