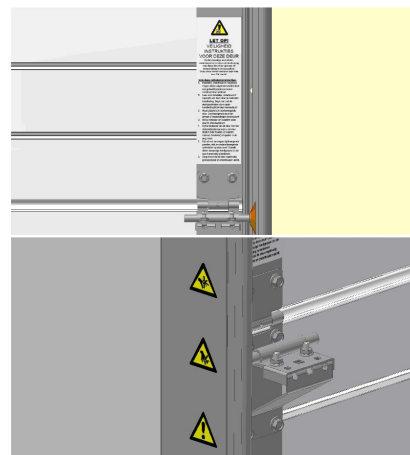
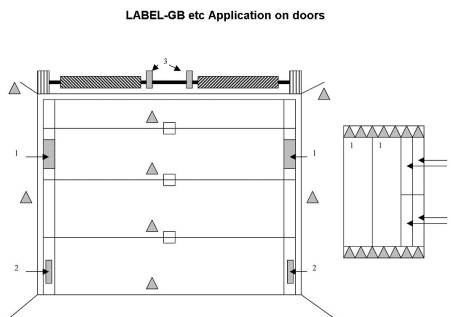


LABEL-PL Warning labels

Images:



Description:

- Subcategory : Labels
- IND/RES : RES
- Full package quantity : 25
- Unit : piece (1)
- Weight / Unit : 0,01kg
- Length : A4
- Product Family : a 023
- Commercial description : Polish
- Technical description : Sheet of safety/warning labels to put on the door. Contains of 2 torsion spring warnings, 2 bottom bracket warnings, 2 general door use warnings, 16 warning triangles. Complete with instructions on the backside.