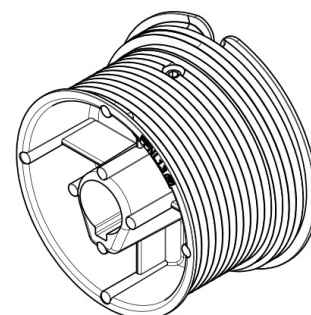
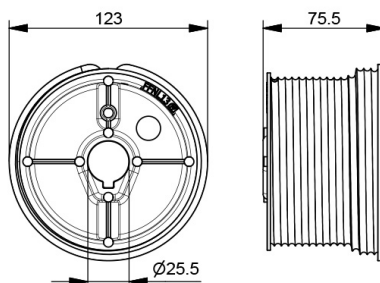


FFNL13 Cable drum

Images:



Description:

- | | |
|-------------------------|--|
| - Subcategory | : 02. Industrial - NL |
| - IND/RES | : IND |
| - Full package quantity | : 20 |
| - Unit | : pair (2) |
| - Weight / Unit | : 0,7kg |
| - Material | : Aluminium |
| - Length | : 75,5mm |
| - Product Family | : 07 Cable drums |
| - Inside diameter | : 25,5mm |
| - Max. cable diameter | : 4mm |
| - Max. door weight | : 341kg |
| - Outside diameter | : 123mm |
| - Safety windings | : 2 |
| - Shaft Size | : 1" |
| - Marking | : Red = Left, Black = Right |
| - Technical description | : Cable with terminal (alu sleeve) can be hooked into camber of drum. The cable also can be passed through the drum, fixed with a hollow-head screw. This gives easy length adjustment. Fixation to the shaft through the key by one hollow-head screw M8. |