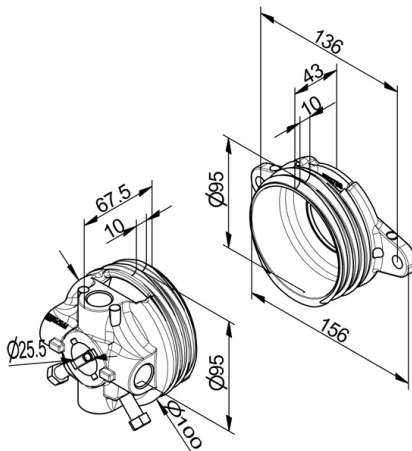


FF375 Spring fittings

Images:



Description:

- Subcategory : 01. Fittings
- IND/RES : IND
- Full package quantity : 10
- Unit : set (4)
- Weight / Unit : 1,39kg
- Material : Aluminium
- Product Family : a 004
- Inside diameter : 1"
- Max. torque : 28Nm on setscrew
- Outside diameter : 95mm
- Spring wire diameter : 6,5mm - 9,5mm
- Marking : Red = Right, Black = Left
- Commercial description : Cost-efficient! Replaces FF375LE
- Technical description : Per set 2 winding cones and 2 stationary cones. Centre line of fixing holes of stationary cone is 136mm. Cones are provided with two installed fixing screws.