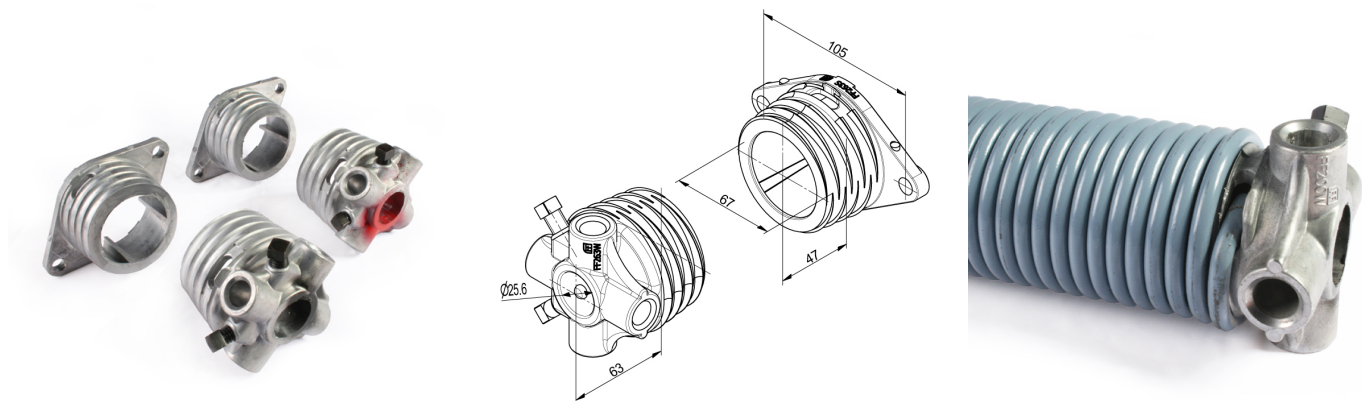


## FF263 Spring fittings

Images:



### Description:

- |                          |   |
|--------------------------|---|
| - Subcategory            | : 01. Fittings  |
| - IND/RES                | : BOTH  |
| - Full package quantity  | : 15  |
| - Unit                   | : set (4)   |
| - Weight / Unit          | : 0,81kg  |
| - Material               | : Aluminium   |
| - Product Family         | : a 003   |
| - Inside diameter        | : 2.625   |
| - Max. torque            | : 20Nm on setscrew  |
| - Outside diameter       | : 67mm  |
| - Spring wire diameter   | : 6mm - 7mm   |
| - Marking                | : Red = Right, Black = Left   |
| - Commercial description | : Replaces FF263TAI, FSW67  |
| - Technical description  | : Universal. Per set 2 winding cones and 2 stationary cones.<br>Centre line of fixing holes of stationary cone is 105mm. Cones are provided with two installed fixing screws. |