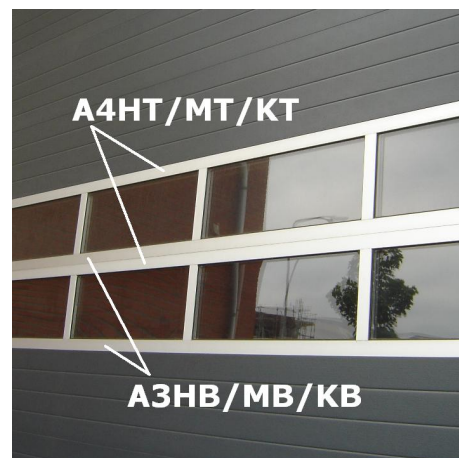
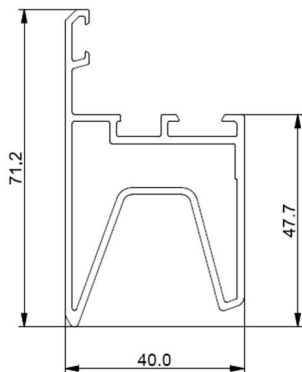


## A3KB7200 Lower profile

### Images:



### Description:

- Subcategory : 03. Full Vision
- IND/RES : BOTH
- Full package quantity : 50
- Unit : piece (1)
- Weight / Unit : 8,2kg
- Material : Anodised Aluminium
- Height : 71,2mm
- Length : 7200mm
- Width : 40mm
- Product Family : a 038
- Fingersafe : Yes
- Panel brand : Kingspan
- Panel thickness : 40mm
- Commercial description : finger-safe, Kingspan, L=7200mm
- Technical description : To combine our full vision kits with finger-safe sections we introduce finger-safe lower profile (B) and top profiles (T). Fits perfectly with our current line of full vision products.