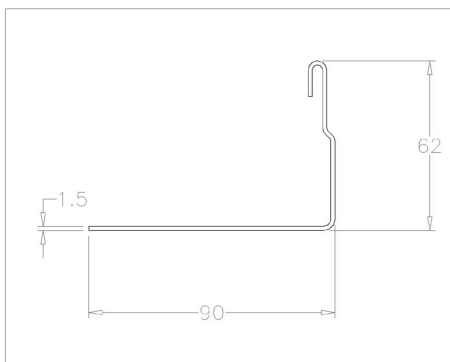


915VB2397 Angle

Images:



Description:

- | | |
|-------------------------|--|
| - Subcategory | : 01. Vertical Angles 1,5mm |
| - IND/RES | : RES |
| - Full package quantity | : 50 |
| - Unit | : piece (1) |
| - Weight / Unit | : 4,68kg |
| - Material | : Galvanised Steel |
| - Height | : 62mm |
| - Length | : 2397mm |
| - Width | : 90mm |
| - Thickness | : 1,5mm |
| - Product Family | : a 004 |
| - Technical description | : The flange of 62mm has slotted holes 9x25mm every 300mm.
The flange of 90mm has 3 slotted holes 9x25mm on both ends
. The vertical angle is suitable for side seal 1085, 1094-40.
Other lengths available on request. |