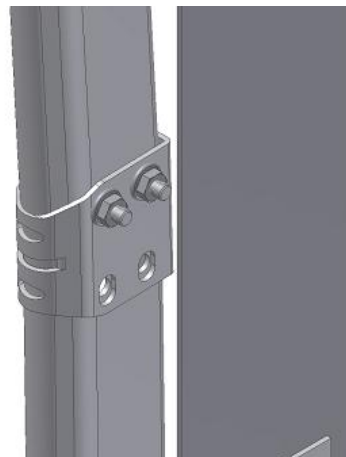
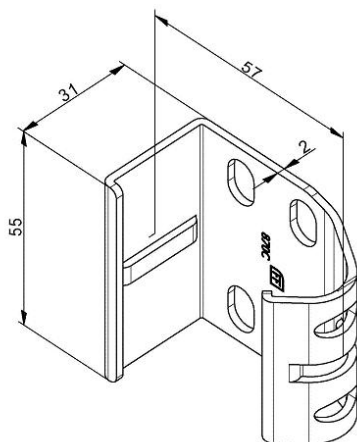


870C Socket

Images:



Description:

- Subcategory	: 02. Steel
- IND/RES	: BOTH
- Full package quantity	: 100
- Unit	: piece (1)
- Weight / Unit	: 0,08kg
- Material	: Galvanised Steel
- Length	: 57mm
- Width	: 55mm
- Thickness	: 2mm
- Product Family	: a 031
- Track width	: 2"
- Marking	: 870C FF
- Technical description	: By fixing on vertical track a nice connection with curve or extended vertical track is realised. Make sure the end of the vertical track is outside the flange of the vertical angle. Installation of extended track/curve is now simple. Slide in and fix with track bolt/nut.