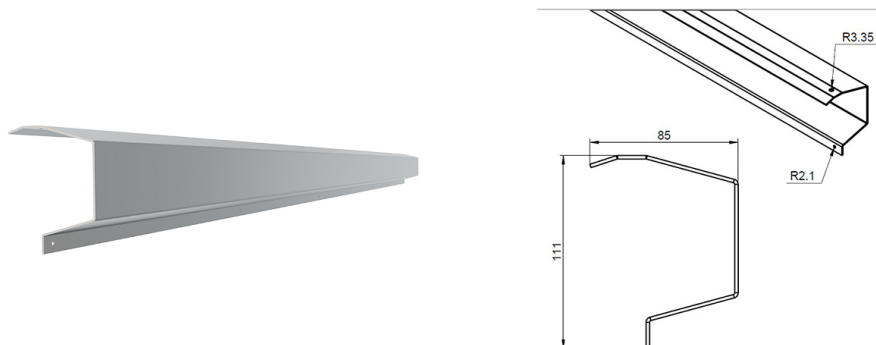


80PSN5000 Reinforcement strut

Images:



Description:

- Subcategory	: 08. SolidStep
- IND/RES	: BOTH
- Full package quantity	: 50
- Unit	: piece (1)
- Weight / Unit	: 17,25kg
- Length	: 5000mm
- Product Family	: a 001§
- Commercial description	: Reinforcement strut profile for SolidStep pass door.
- Technical description	: Reinforcement profile made of precoated steel (white, RAL 9016). Designed to be fitted to the top panel and top profile.