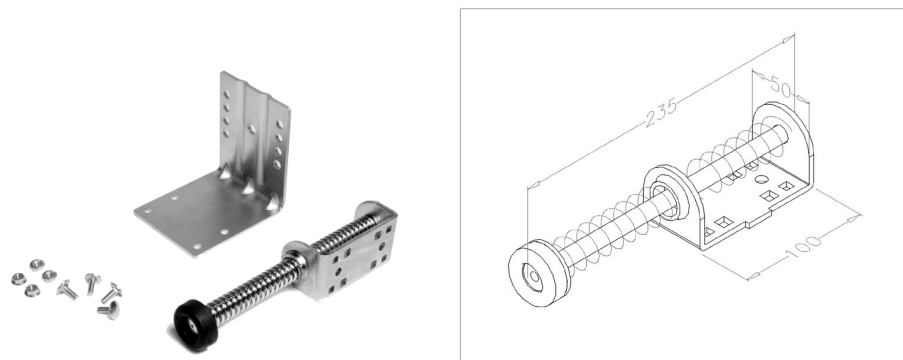


## 718C Spring bumper

Images:



### Description:

- Subcategory	: 01. Bumpers
- IND/RES	: IND
- Full package quantity	: 20
- Unit	: piece (1)
- Weight / Unit	: 1,15kg
- Material	: Galvanised Steel
- Length	: 235mm
- Width	: 50mm
- Product Family	: a 002
- Technical description	: The bumpers are provided with a rubber stop. Supplied with fixing material and mounting plates 2090. Functions as cable tension device on Normal Lift and LHR.