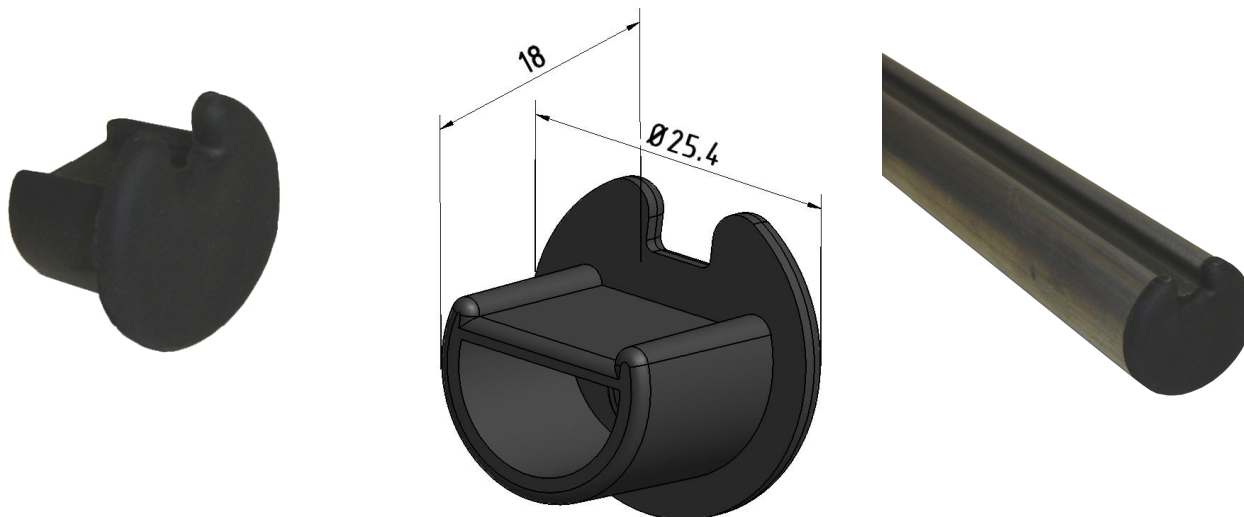


702CAP Shaft cover

Images:



Description:

| | |
|-------------------------|--|
| - Subcategory | : 02. Tubes key-way, 2mm |
| - IND/RES | : RES |
| - Full package quantity | : 250 |
| - Unit | : piece (1) |
| - Weight / Unit | : 0,04kg |
| - Material | : Plastic |
| - Colour | : Black |
| - Length | : 18mm |
| - Product Family | : a 035 |
| - Keyway | : Yes |
| - Outside diameter | : 1" (25,4mm) |
| - Marking | : FF |
| - Technical description | : The estatic aspect of the open ends of a hollow tube shaft can be improved with this new, simple product. Black plastic covers to insert in the ends of a 702GBL-shaft. Why not? |