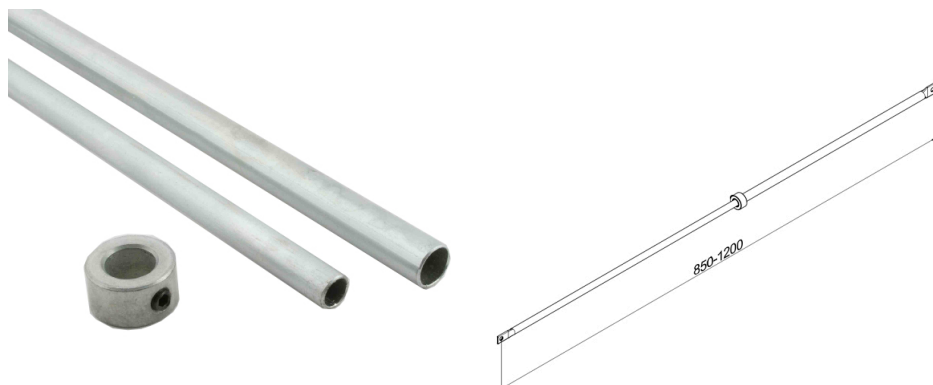


650SI Lock rod

Images:



Description:

- Subcategory	: 04. Others
- IND/RES	: RES
- Full package quantity	: 20
- Unit	: set (1)
- Weight / Unit	: 0,25kg
- Material	: Galvanised Steel
- Length	: 850mm - 1200mm
- Product Family	: a 035
- Keyhole	: No
- Marking	: FF
- Commercial description	: max door w=2700mm
- Technical description	: The new rod connections exist out of 2 parts which are adjustable in length and can be adjusted to the required door width. Please note that for each snapper you need 1 rod in two pieces!!