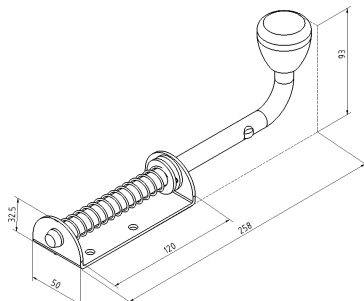


## 632L Slide bolt

Images:



Description:

- |                         |  |
|-------------------------|--|
| - Subcategory           | : 03. Slide bolts  |
| - IND/RES               | : IND  |
| - Full package quantity | : 20   |
| - Unit                  | : piece (1)  |
| - Weight / Unit         | : 0,58kg   |
| - Material              | : Galvanised Steel, Plastic  |
| - Height                | : 32,5mm   |
| - Length                | : 50mm   |
| - Width                 | : 120mm  |
| - Thickness             | : 2mm  |
| - Product Family        | : a 027  |
| - Keyhole               | : No   |
| - Technical description | : Provided with a black PVC knob, bolt is suitable for inside operation only. Longer stroke (82mm) for doors with more distance between doorblade and track. |