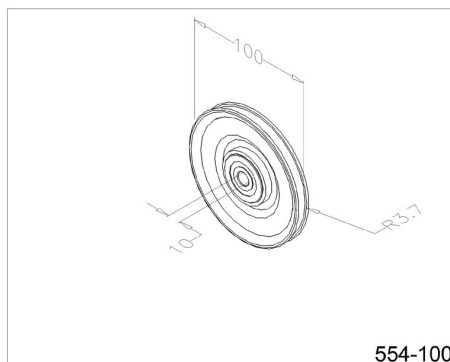


554-100 Cable pulley

Images:



Description:

- Subcategory	: 01. Pulleys
- IND/RES	: IND
- Full package quantity	: 50
- Unit	: piece (1)
- Weight / Unit	: 0,26kg
- Material	: Galvanised Steel
- Product Family	: 04 Cable pulleys
- Inside diameter	: 10mm
- Max. cable diameter	: 5mm
- Max. door weight	: 450kg
- Max. performance	: 450kg
- Outside diameter	: 100mm
- Technical description	: The high quality production method results in a weldless cable groove.