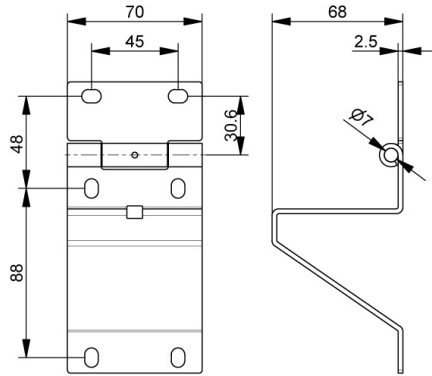
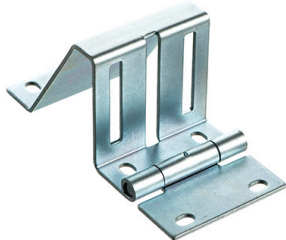


## 450RZN Side hinge

Images:



### Description:

- Subcategory	: 08. Side, Industrial
- IND/RES	: IND
- Full package quantity	: 40
- Unit	: piece (1)
- Weight / Unit	: 0,35kg
- Material	: Galvanised Steel
- Thickness	: 2,5mm
- Product Family	: a 107§
- Heart-to-heart	: 45mm
- Commercial description	: base