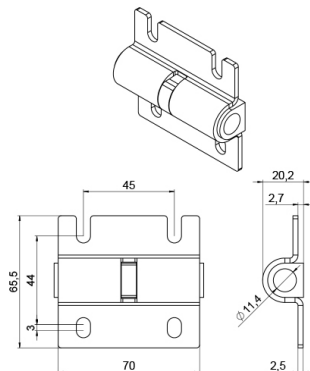


450FZB Roller holder

Images:



Description:

- Subcategory : 08. Side, Industrial
- IND/RES : IND
- Full package quantity : 150
- Unit : piece (1)
- Weight / Unit : 0,12kg
- Material : Galvanised Steel
- Thickness : 2,5mm
- Product Family : a 103§
- Heart-to-heart : 45mm
- Commercial description : applicable with all 70mm intermediate hinges
- Technical description : Low noise roller holder for tandem rollers. The plastic bush avoids steel on steel contact and thereby minimizes the sound produced by the roller. Part of Value Pack Speed.