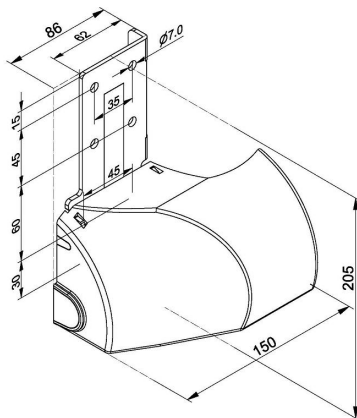


444CAPL Cover

Images:



Description:

- Subcategory	: 03. Others
- IND/RES	: IND
- Full package quantity	: 25
- Unit	: piece (1)
- Weight / Unit	: 0,056kg
- Material	: Plastic
- Length	: 205mm
- Width	: 150mm
- Product Family	: a 002
- Left / Right	: Left
- Marking	: FF
- Commercial description	: sparepart
- Technical description	: Bottom sections of doors are target for damaging. 444 cable break device cover is part of that section. Therefore, now separate cover as a spare part, to replace damaged cover with new one