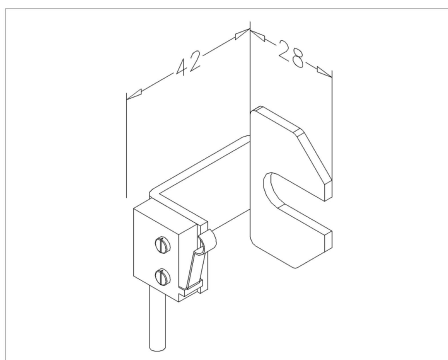
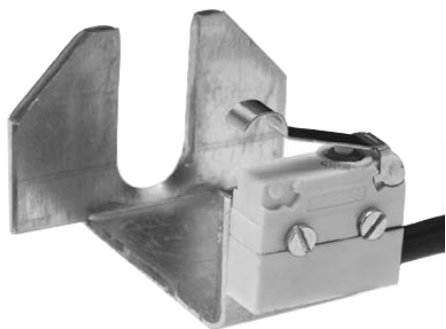


440SWL Switch

Images:



Description:

- Subcategory	: 03. Others
- IND/RES	: IND
- Full package quantity	: 100
- Unit	: piece (1)
- Weight / Unit	: 0,05kg
- Material	: Galvanised Steel
- Length	: 42mm
- Width	: 28mm
- Product Family	: a 016
- Left / Right	: Left
- Marking	: IP67
- Technical description	: Suitable for fitting to the 2" and 3" cable break device (except the 444, 440). The switch is operated as soon as the bracket of the cable break device is relieved and operates the switch by turning the lifting cable. Complete with 0.5 metre cable (2-core)