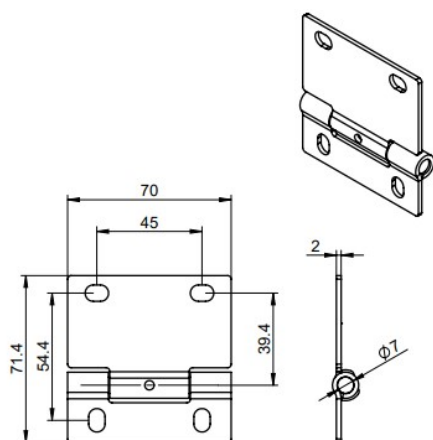


426HZN10R Intermediate hinge

Images:



Description:

- | | |
|--------------------------|---|
| - Subcategory | : 03. Intermediate, Kingspan |
| - IND/RES | : IND |
| - Full package quantity | : 100 |
| - Unit | : piece (1) |
| - Weight / Unit | : 0,12kg |
| - Material | : Galvanised Steel |
| - Width | : 70mm |
| - Product Family | : a 103§ |
| - Panel brand | : Kingspan |
| - Commercial description | : intermediate hinge, 40mm Kingspan, w=70mm |
| - Technical description | : New design with improved quality and appearance |