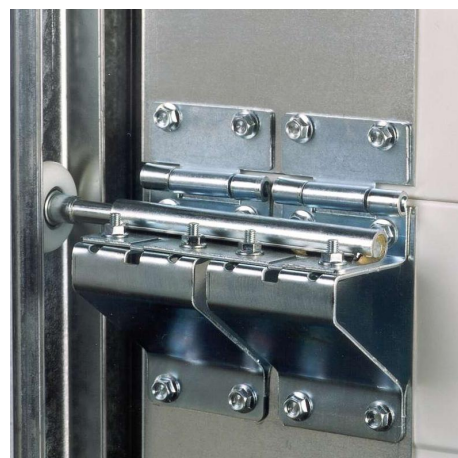
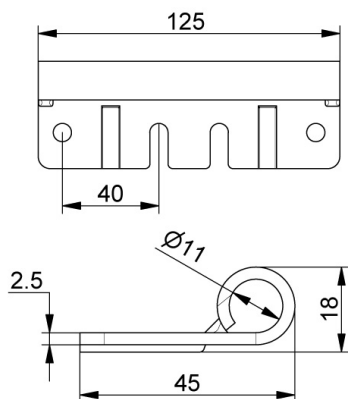


423DZ Slide

Images:



Description:

- Subcategory	: 09. Slides
- IND/RES	: IND
- Full package quantity	: 100
- Unit	: piece (1)
- Weight / Unit	: 0,17kg
- Material	: Galvanised Steel
- Height	: 18mm
- Length	: 125mm
- Width	: 45mm
- Thickness	: 2,5mm
- Product Family	: a 114
- Heart-to-heart	: 40mm
- Marking	: 423DZ FF
- Commercial description	: 11mm roller shaft
- Technical description	: Applied on heavier doors with double hardware (hinges and endcaps).