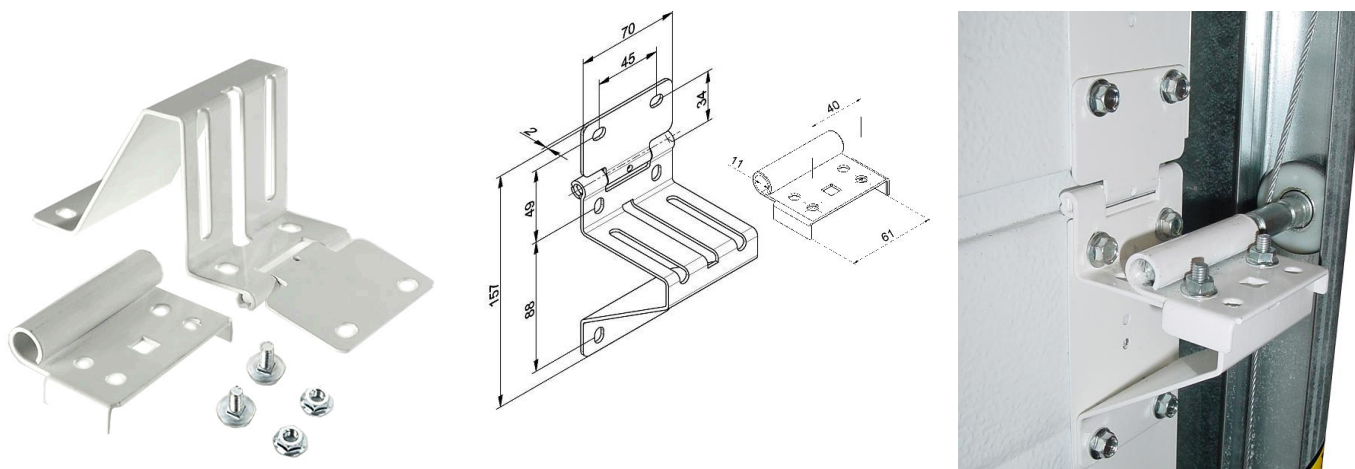


422CZW10R Side hinge

Images:



Description:

- | | |
|--------------------------|--|
| - Subcategory | : 06. Side, Epco |
| - IND/RES | : BOTH |
| - Full package quantity | : 50 |
| - Unit | : piece (1) |
| - Weight / Unit | : 0,44kg |
| - Material | : Galvanised Steel |
| - Colour | : White |
| - Width | : 70mm |
| - Thickness | : 2mm |
| - Product Family | : a 073 |
| - Heart-to-heart | : 45mm |
| - Panel brand | : Epco |
| - Marking | : 422CZW10R FF |
| - Commercial description | : RAL 9016. Complete, W = 70mm |
| - Technical description | : Complete side hinge with 450SZW slide and bolts/nuts included. Finish appearance with 1055CAP10 bolt covers. |