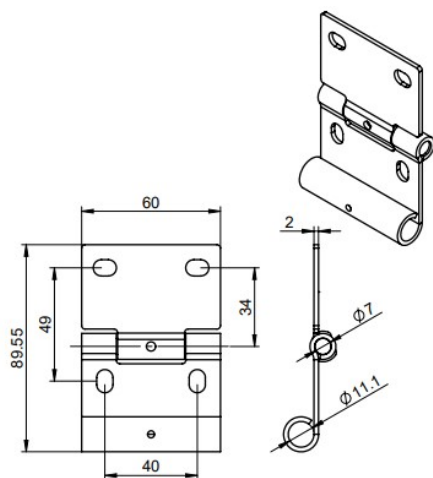


## 421FZN10R

### Images:



### Description:

- |                         |                    |
|-------------------------|--------------------|
| - Subcategory           | : 06. Side, Epco   |
| - IND/RES               | : IND              |
| - Full package quantity | : 100              |
| - Unit                  | : piece (1)        |
| - Weight / Unit         | : 0,1kg            |
| - Material              | : Galvanised Steel |
| - Width                 | : 52mm             |
| - Product Family        | : a 103§           |
| - Panel brand           | : Epco             |