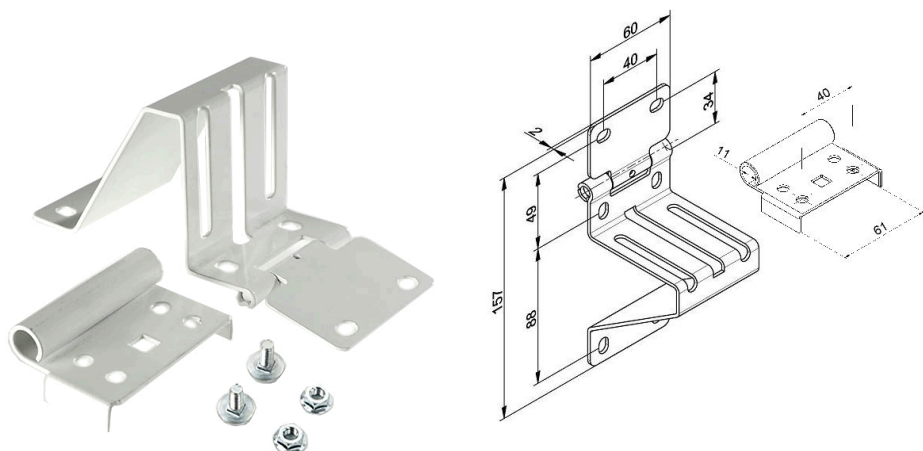


421CZW10R Side hinge

Images:



Description:

- Subcategory	: 06. Side, Epco
- IND/RES	: RES
- Full package quantity	: 50
- Unit	: piece (1)
- Weight / Unit	: 0,39kg
- Material	: Galvanised Steel
- Colour	: White
- Width	: 60mm
- Thickness	: 2mm
- Product Family	: a 063
- Heart-to-heart	: 40mm
- Panel brand	: Epco
- Marking	: 421CZW10R FF
- Commercial description	: RAL 9016. Complete, W = 60mm
- Technical description	: Complete side hinge with 423SZW slide and bolts/nuts included. Finish appearance with 1055CAP10 bolt covers.