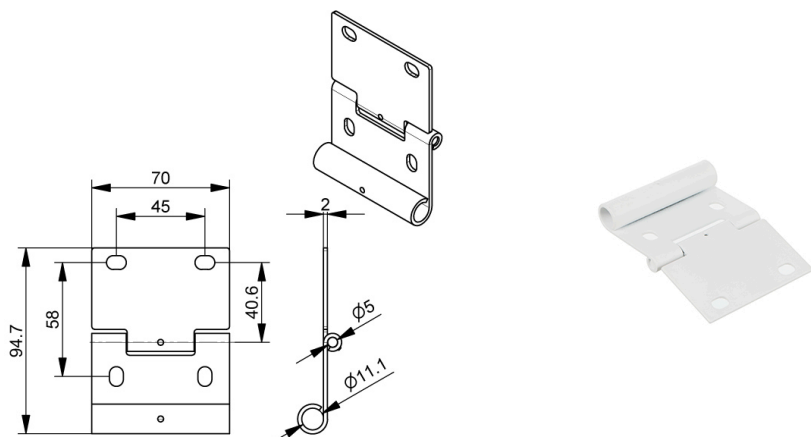


420FZNW10R Side hinge

Images:



Description:

- Subcategory : 05. Side, Metecno etc.
- IND/RES : RES
- Full package quantity : 50
- Unit : piece (1)
- Weight / Unit : 0,17kg
- Material : Galvanised Steel
- Colour : White
- Width : 70mm
- Thickness : 2mm
- Product Family : a 042§
- Heart-to-heart : 45mm
- Panel brand : Metecno / Tecsedo / Marcegaglia / Italpannelli
- Marking : FF
- Commercial description : Metecno/Tecsedo, Marcegaglia panel, Italpannell, w = 70mm, white
- Technical description : To be used with tandemroller 595RSF/R. The adjustment panel/seal is easily done with the tandemroller. So, a non adjustable side hinge with a low build-in size, which gives better apperance and quality look. Quiet run of the door.