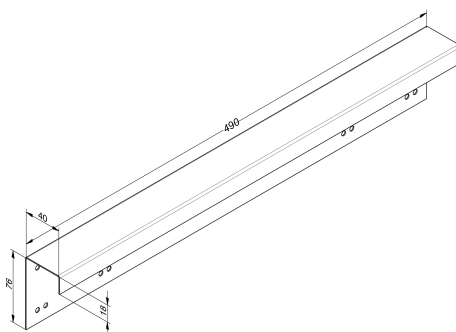
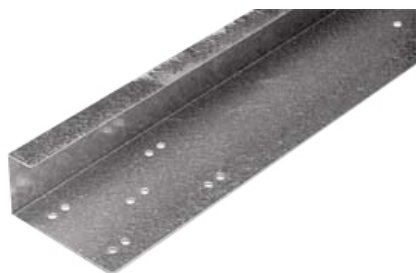


40E500 End cap

Images:



Description:

- | | |
|-------------------------|---|
| - Subcategory | : 13. Single, Industrial |
| - IND/RES | : IND |
| - Full package quantity | : 250 |
| - Unit | : piece (1) |
| - Weight / Unit | : 0,5kg |
| - Material | : Galvanised Steel |
| - Height | : 490mm |
| - Length | : 500mm |
| - Width | : 76mm |
| - Thickness | : 1mm |
| - Product Family | : a 109 |
| - Fingersafe | : No |
| - Galvanised | : Yes |
| - Panel thickness | : 40mm |
| - Technical description | : Provided with hole pattern for side hinges. Universal left and right. Rounded corners. Effective size is panel size less 10mm. On request also available in other sizes or without holes. |