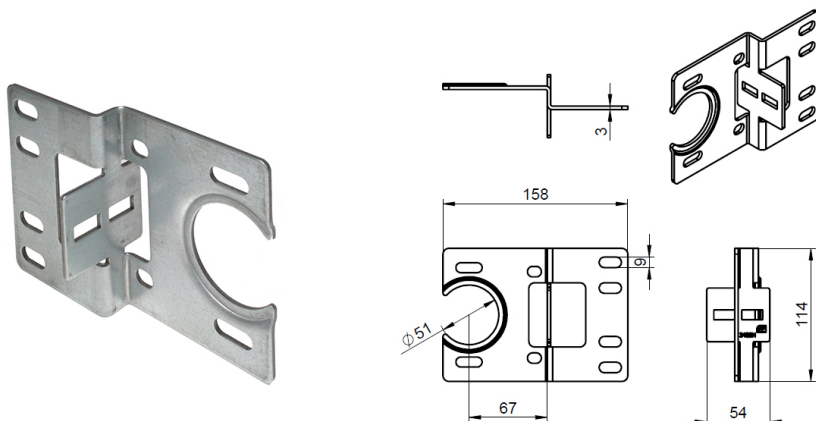


340SH Bearing plate

Images:



Description:

- Subcategory	: 05. Others
- IND/RES	: RES
- Full package quantity	: 50
- Unit	: piece (1)
- Weight / Unit	: 0,36kg
- Material	: Galvanised Steel
- Height	: 54mm
- Length	: 114mm
- Width	: 158mm
- Thickness	: 3mm
- Product Family	: a 001
- Inside diameter	: 51mm
- Commercial description	: RSC Bolted, springs rear, bearing plate
- Technical description	: Universal support to install at the end of the horizontal tracks to support the bearing/shaft system. Hole for passing through 50SU, which can also be used for side wall suspension.