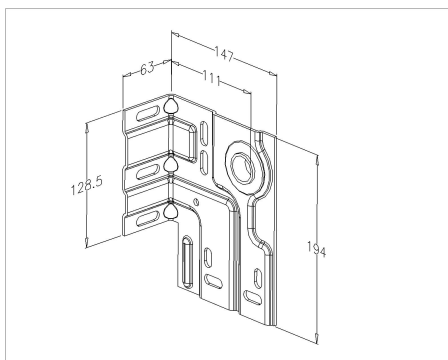


## 3111S End bearing plate

Images:



Description:

- Subcategory	: 01. Side
- IND/RES	: IND
- Full package quantity	: 10
- Unit	: pair (2)
- Weight / Unit	: 1,64kg
- Material	: Galvanised Steel
- Height	: 194mm
- Length	: 147mm
- Width	: 63mm
- Thickness	: 3mm
- Product Family	: a 008
- Galvanised	: Yes
- Heart-to-heart	: 111mm
- Technical description	: New high tec bearing plates made of high-tension steel with a keen design of reinforcement ribs.