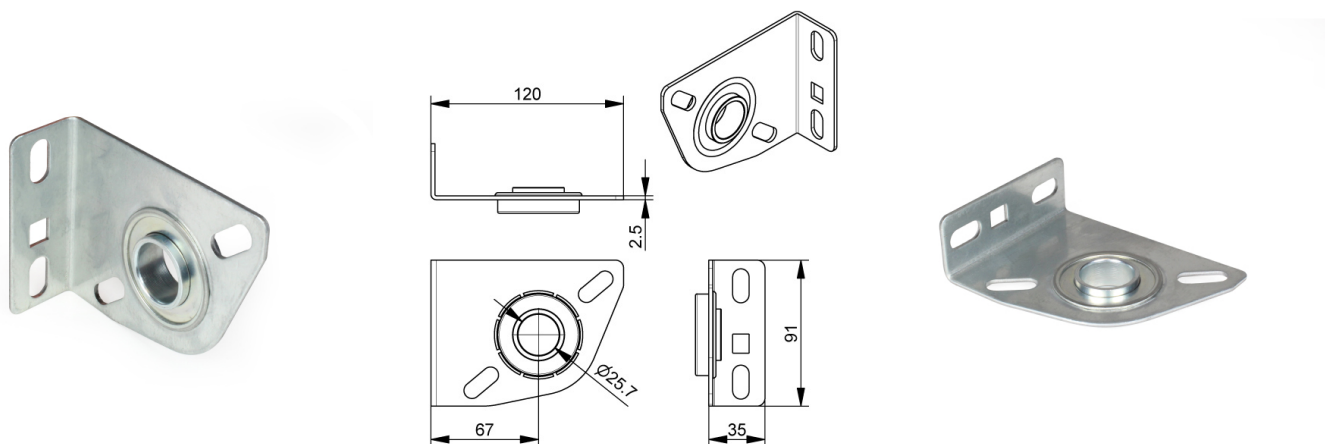


310-67NL Bearing plate

Images:



Description:

- Subcategory	: 03. Residential
- IND/RES	: RES
- Full package quantity	: 50
- Unit	: piece (1)
- Weight / Unit	: 0,30kg
- Material	: Galvanised Steel
- Height	: 91mm
- Length	: 120mm
- Width	: 35mm
- Thickness	: 2,5mm
- Product Family	: a 001
- Galvanised	: Yes
- Heart-to-heart	: 67mm
- Left / Right	: Left
- Commercial description	: replaces 310-67LH
- Technical description	: Designed to achieve lower build-in heights. Shaped in line with 656 spring break devices and suitable for 563S(X) and 340S support plates, to achieve better shaft support in one spring situations or instead of a spring break device.