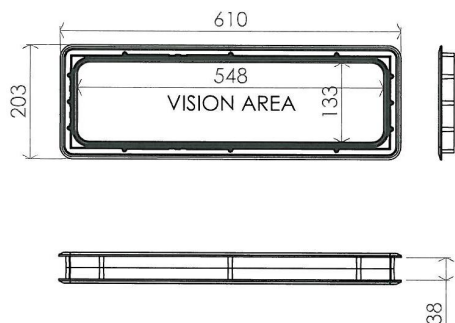


2375 Window

Images:



Description:

- Subcategory : 04. IND
- IND/RES : IND
- Full package quantity : 12
- Unit : set (1)
- Weight / Unit : 1,75kg
- Material : Acrylate
- Colour : Black
- Height : 203mm
- Width : 610mm
- Product Family : a 053
- Panel thickness : 38mm - 40mm
- Thermal Conductivity : K-value = 1,38 W/m2K
- Marking : 2375 FF
- Commercial description : 610 x 203 mm. Cut-out 587 x 181 mm. With white inner frame.
- Technical description : Provided with 2x2mm sheets. Outer frame has adhesive to seal against the door, which seals unequalties of max. 0.5mm in mounting surface. Bigger seams make use of extra sealing kit necessary. Screw connection for easy (de-)mounting.