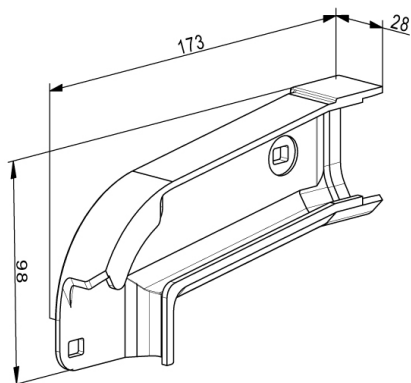


## 215FNL Top curve

Images:



### Description:

- Subcategory : 07. Others
- IND/RES : RES
- Full package quantity : 25
- Unit : piece (1)
- Weight / Unit : 0,16kg
- Material : Aluminium
- Height : 98mm
- Length : 173mm
- Width : 28mm
- Product Family : a 050
- Track width : 2"
- Marking : 215FNL FF
- Commercial description : Improved version, better roller guide surface! Replaces 215FL
- Technical description : Smart solution to guide and lock-up the top roller in RSC doors. Universal for springs in front and springs in rear. And manual or power operated doors. Prevents upper panel to be pushed inwards. Pre-installed on RSC horizontal track set.