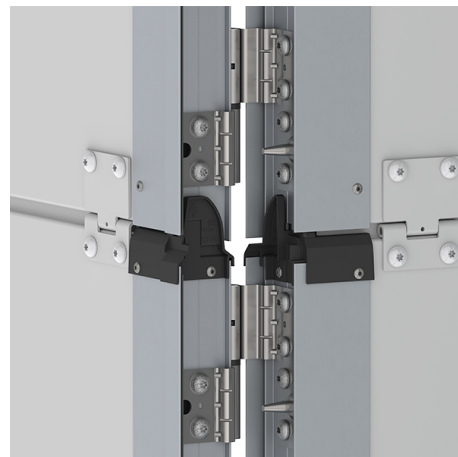
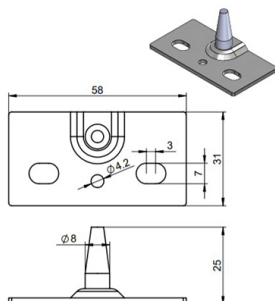


1134SP Security pin

Images:



Description:

- | | |
|--------------------------|---|
| - Subcategory | : 08. SolidStep |
| - IND/RES | : BOTH |
| - Full package quantity | : 200 |
| - Unit | : piece (1) |
| - Weight / Unit | : 0,031kg |
| - Product Family | : a 001§ |
| - Commercial description | : Security pin to protect the door against unwanted access after removing hinge pins. |
| - Technical description | : Integrated lock-pin for complete security of the hinge side of the pass door. Position secured by position of hinge. Hole preparation included in pass door kits. |