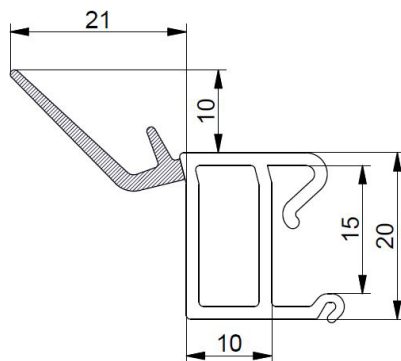


1088T-6000 Seal

Images:



Description:

- Subcategory	: 06. Thermal break
- IND/RES	: RES
- Full package quantity	: 10
- Unit	: piece (1)
- Weight / Unit	: 1,38kg
- Material	: PP, TPE
- Colour	: Black
- Height	: 30mm
- Length	: 6000mm
- Width	: 31mm
- Product Family	: a 112
- Marking	: 1088T
- Technical description	: Improves thermal(U-)value of the door, with the same appearance.